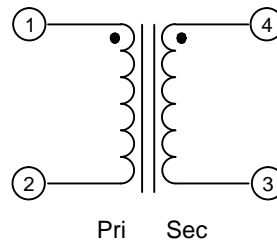
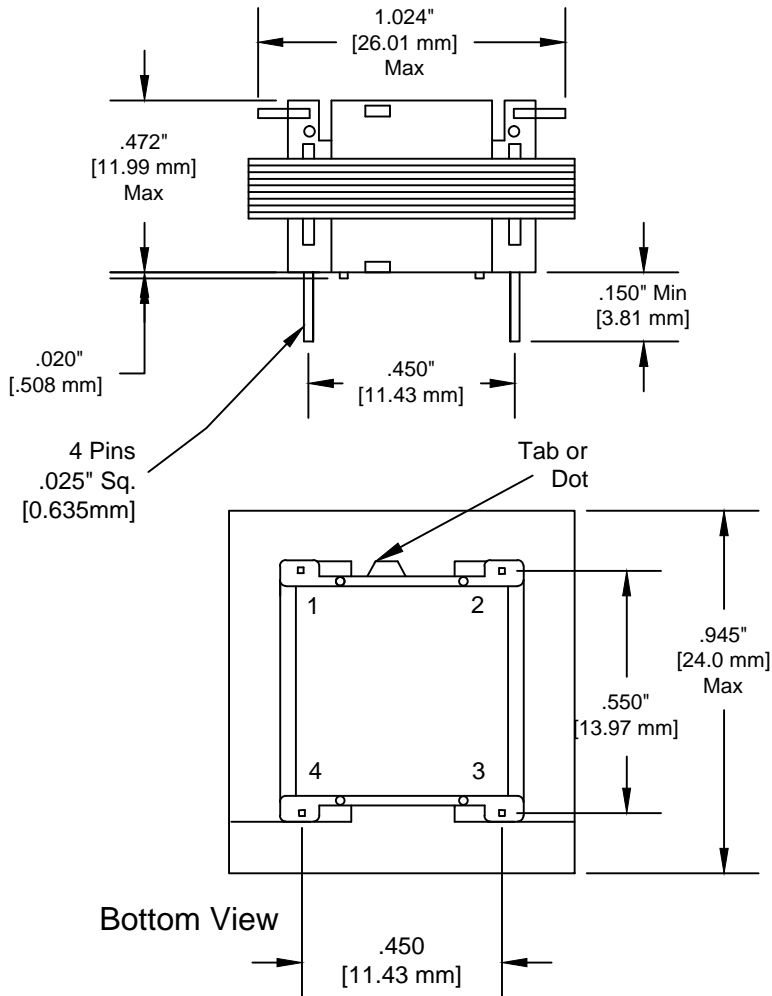


- SUB-MINIATURE VOICE/DATA COUPLING TRANSFORMERS.
- MINIMAL USE OF PC BOARD AREA < 1.0" [25.4] SQUARE) AND VERY LOW ABOVE-BOARD HEIGHT < 0.525" [13.34].
- V.29 (9.6Kbps) MODEM TRANSFORMER.
- DRY (ODC) APPLICATIONS.
- 600Ω : 600Ω COUPLING



| REVISIONS | | | |
|-----------|-----|--|----------|
| DATE | REV | DESCRIPTION | APPV'D |
| 8-26-93 | -1 | Changed Insertion Loss Max was 2.0dB | TJK |
| 11-3-93 | -2 | Changed Pri & Sec D.C.Rs, was reversed. | G.G. |
| 2-14-96 | -3 | Added ref. to pin-out Gauge Lay-out | TJK/G.G. |
| 4-2-96 | -4 | Deleted hole size from pin-out gauge lay-out | TJK |
| 4-15-96 | -5 | Deleted Min dB specification for Long.Bal. | TJK |
| 2-27-00 | -6 | Removed Pin-out, Update Revised dwg | G.G. |
| 12-16-15 | -7 | Update Revised dwg | Tjk |

Electrical Parameters

Primary Impedance: 600 Ohms
 Secondary Impedance: 600 Ohms
 Max DC Unbalance: 0
 Turns Ratio: 1:1 +/-2%
 Dielectric Strength: 1500Vrms P-S-C
 Frequency Response: +/-0.25dB 200 -4KHz (1KHz Ref.)
 Return Loss: 20.0dB Min. 300-3KHz
 Echo Return Loss: 29.0dB Min.
 Insertion Loss: 2.25dB max @1KHz
 Primary D.C.R. : 108.0 Ω +/-10%
 Secondary D.C.R. : 120.0 Ω +/-10%
 THD: -10dBm @ 600Hz Input, -76dB Typ.
 Longitudinal Balance: Per FCC Part 68.310

Use 374 Ω Load for Transmission Tests

All dimensions are reference unless otherwise specified.

| | | | |
|---|-------------------------------------|--|----------------------------------|
| | | CUSTOM ENGINEERING MAGNETIC COMPONENTS Johnsburg, Illinois 3521 N. Chapel Hill Rd. / McHenry, Illinois 60051 | |
| SCALE: None | APPROVED BY: <i>Tj Klotz</i> | | DRAWN BY Tjk. |
| DATE: 9-27-00 | | | REVISED |
| Mechanical / Electrical Drawing for Part SPT-022 | | | |
| (Voice/Data Transformer) | | | DRAWING NUMBER B 022-7 |